

Slide Clear- S70 Sliding Door

Optional Thermally Broken - Minimal Frame



The S70 Sliding Door is our European engineered, minimal frame-maximum view sliding door series. The S70 features an optional thermally broken frame, stainless steel hardware and beneficial track configurations. This system is the perfect solution for areas where thermal, air, water and structural values are an important factor. The panels neatly slide away, allowing for a unified space in the indoors or out.

- Application** Patios, verandas, balconies, bars, greenhouses, restaurants, hotels, shopping malls, pool areas, hot tub surrounds, etc.
- Thermal** The profiles on the S70 Sliding Door are composed of 6060 aluminum. The optional thermal break within the aluminum profiles are composed of 1" (24mm) polyimide bars, which provides excellent insulation.
- Dimensions** Made to measure door panels for openings up to 120" (3048mm) in height. The S70 sliding door system spans widths up to 236" (6000mm) with various multi-panel configurations to choose from.
- Sliding** The S70 Sliding Door is a bottom weighted system. The stainless steel wheels assemblies run effortlessly on a bottom track. Every door panel has adjustable wheel assemblies for perfect alignment.
- Features** The S70 features a multi-point lock system that provides a premium level of security. The bottom tracks are available in two and three panel formats allowing for multiple configurations with anywhere between two and six door panels.

Specifications

Operation	Bottom Weighted
Thermally Broken	Optional
Max Panel Weight	330lbs (150kg)
Standard Glazing	3/4" (20mm) IGU or 7/8" (23mm) IGU
Single Pane Specs - Non Thermal	3/16" - 7/16" (4-11mm)
Double Pane Specs - Non Thermal	5/8" - 15/16" (16-24mm)
Double Pane Specs - Thermally Broken	3/4" - 1-1/16" (20-27mm)
Max Panel Width	<i>*Configuration Specific</i>
Max System Width	236" (6000mm)
Max System Height	120" (3048mm)

Color Options

Standard Colors	Clear Anodized
	RAL 9006 White Aluminum
	RAL 9010 Pure White
	RAL 9016 White
	RAL 1013 Linen
	RAL 8017 Brown
Custom Colors	RAL 7035 Light Grey
	Please contact for quote
Hardware Color	Black & Silver
	<i>*Hardware includes handles and guides</i>

S70 Sliding Door

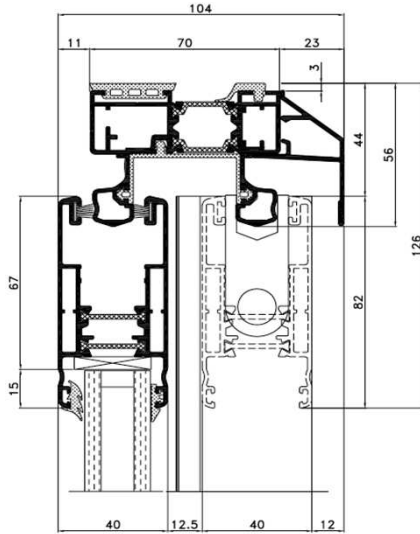
Options

Lock Options	Handle with Key Lock
---------------------	----------------------

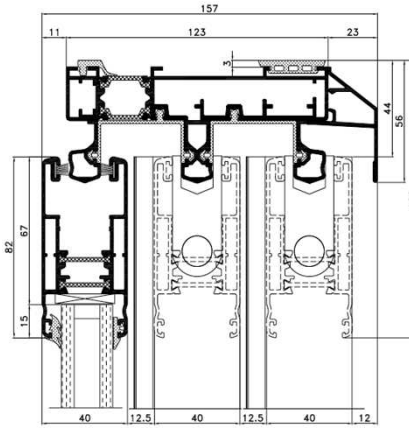
Delivery

Standard 8-12 week delivery
FOB Surrey BC, Canada
Freight to be quoted

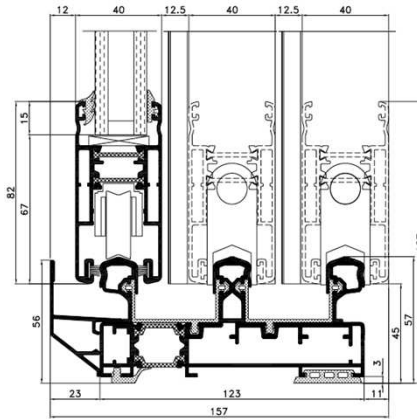
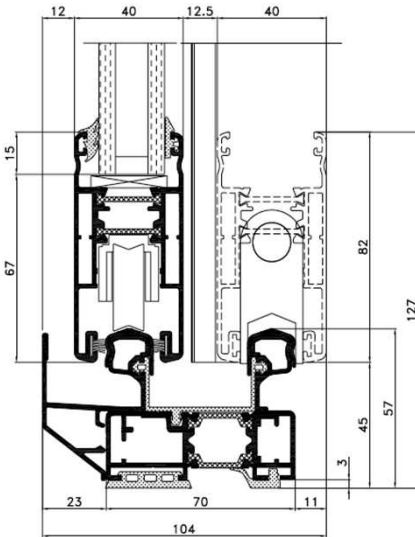
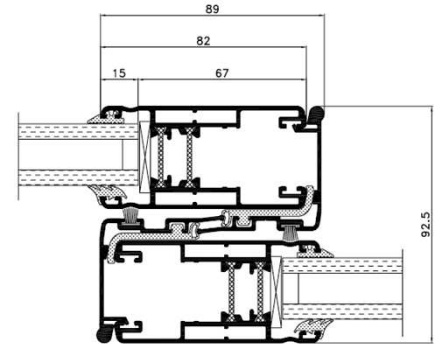
Top Track - Thermal (2-Track)



Top Track - Thermal (3-Track)

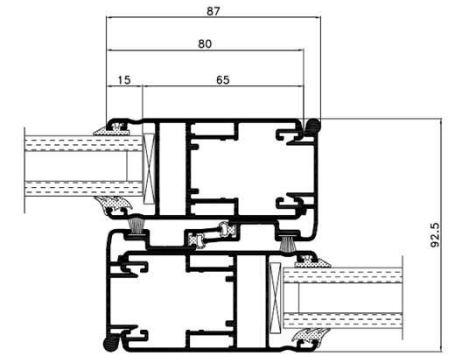


Sectional View - Thermal



Bottom Sill - Thermal (3-Track)

Sectional View - Non



Bottom Sill - Thermal (2-Track)