

Slide Clear- S50 Sliding Door

Versatile - Minimal Frame



The S50 Sliding Door system is our most versatile and economical sliding door system. This system can act as an adaptable partition, barrier wall or divider for areas where thermal values are less important and a good seal is still required. The panels neatly slide away, allowing for a unified space in the indoors or out. The S50 sliding door system has been expertly designed to transform your outdoor areas into a complete outdoor living space.

Application Patios, verandas, balconies, bars, greenhouses, restaurants, hotels, shopping malls, pool areas, hot tub surrounds, etc.

Materials The profiles on the S50 sliding door systems are composed 6060 T5 aluminum.

Dimensions Made-to-measure door panels for openings up to 96" (2438mm) in height. The S50 sliding door system spans widths up to 252" (6400mm) with various multi-panel configurations to choose from.

Sliding The S50 slide door is a bottom weighted system. The stainless steel wheel assemblies run effortlessly on a stainless steel rail. Every door panel has adjustable wheel assemblies for perfect alignment.

Features This S50 system features a "unified sill" profile to allow for various panel configurations. The bottom sills are available in two, three, four, five and six track configurations.

Specifications

Operation	Bottom Weighted
Thermally Broken	No
Max Panel Weight	132lb (60kg)
Standard Glazing	3/8" (10mm) Tempered
Single Pane Specs.	3/16" - 3/8" (4-10mm)
Double Pane Specs.	7/16" - 11/16" (12-17mm)
Max Panel Width	<i>*Configuration Specific</i>
Max System Width	252" (6400mm)
Max System Height	96" (2438mm)

Color Options

Standard Colors	Clear Anodized
	Metallic Grey RAL 9006
	Light Grey RAL 7035
	Matte Black RAL 9005
	Pure White RAL 9010
	White RAL 9016
	Linen RAL 1013
Custom Colors	Brown RAL 8017
	Please contact for quote
Hardware Colors	Black Powdercoat & Clear Anodized <i>*Hardware includes handles and guides</i>

S50 Sliding Door

Options

Lock Options

Flush Handle with Key Lock

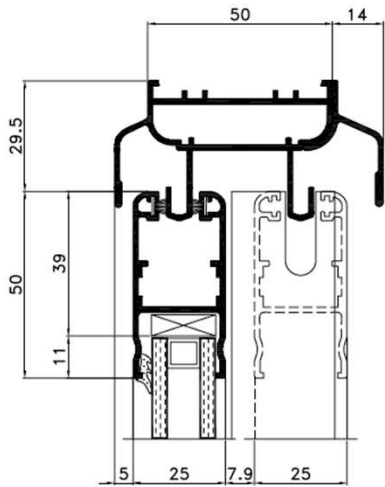
Delivery

Standard 10-14 week delivery

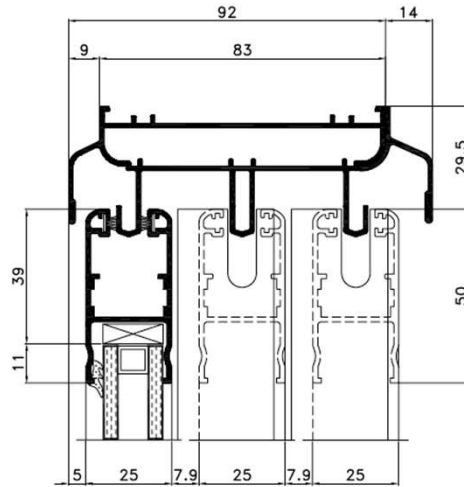
FOB: Surrey BC, Canada

Freight to be quoted

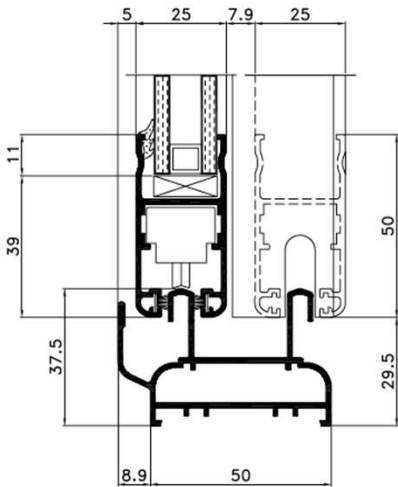
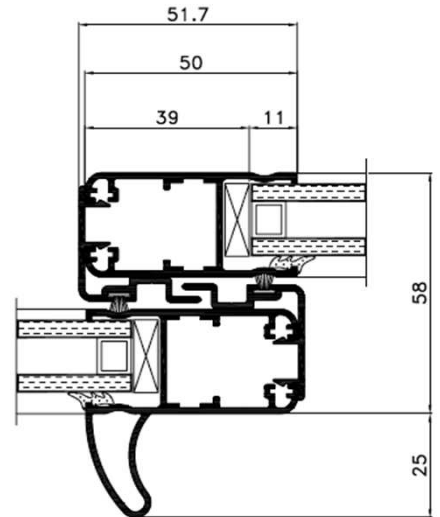
Top Track (2-Track)



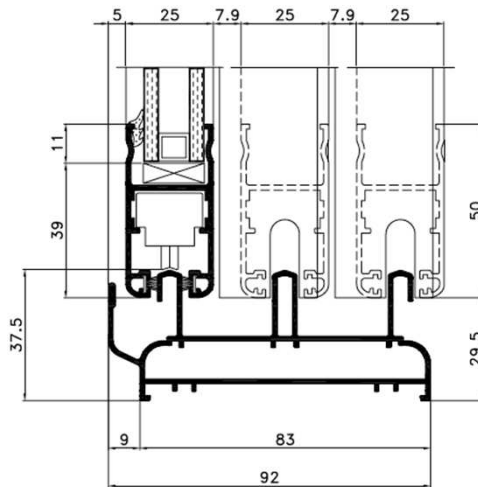
Top Track (3-Track)



Sectional View



Bottom Sill (2-Track)



Bottom Sill (3-Track)