

Slide Clear- S50 Sliding Door

Versatile - Minimal Frame



The S50 Sliding Door system is our most versatile and economical sliding door system. This system can act as an adaptable partition, barrier wall or divider for areas where thermal values are less important and a good seal is still required. The panels neatly slide away, allowing for a unified space in the indoors or out. The S50 Sliding Door system has been expertly designed to transform your outdoor areas into a complete outdoor living space.

Application

Patios, verandas, balconies, bars, greenhouses, restaurants, hotels, shopping malls, pool areas, hot tub surrounds, etc.

Construction

The profiles on the S50 Sliding Door systems are composed 6060 aluminum.

Dimensions

Made-to-measure door panels for openings up to 96" (2438mm) in height. The S50 Sliding Door system spans widths up to 252" (6400mm) with various multi-panel configurations to choose from.

Sliding

The S50 Slide Door is a bottom weighted system. The stainless steel wheel assemblies run effortlessly on a bottom track. Every door panel has adjustable wheel assemblies for perfect alignment.

Features

This S50 system features a "unified sill" profile to allow for various panel configurations. The bottom sills are available in two, three, four, five and six track configurations.

Specifications

Operation	Bottom Weighted
Thermally Broken	No
Max Panel Weight	132lb (60kg)
Standard Glazing	3/8" (10mm) or 5/8" (15mm) IGU
Single Pane Specs.	3/16" - 3/8" (4-10mm)
Double Pane Specs.	7/16" - 11/16" (12-17mm)
Max Panel Width	* <i>Configuration Specific</i>
Max System Width	252" (6400mm)
Max System Height	96" (2438mm)

Color Options

Standard Colors	Clear Anodized
	RAL 9006 White Aluminum
	RAL 9010 Pure White
	RAL 9016 White
	RAL 1013 Linen
	RAL 8017 Brown
Custom Colors	RAL 7035 Light Grey
	Please contact for quote
Hardware Colors	Black
	* <i>Hardware includes handles and locks</i>

S50 Sliding Door

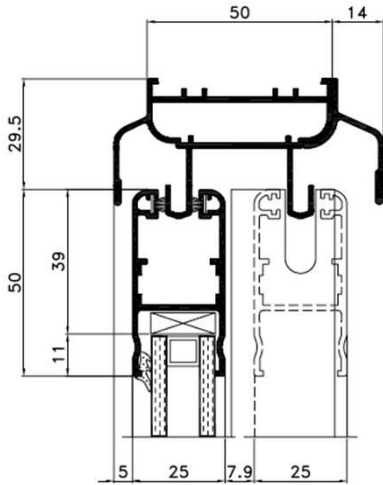
Options

Lock Options	Flush Handle with Key Lock
---------------------	----------------------------

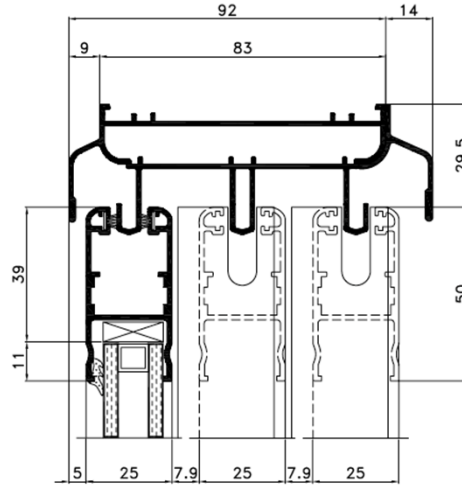
Delivery

Standard 8-12 week delivery
FOB: Surrey BC, Canada
Freight to be quoted

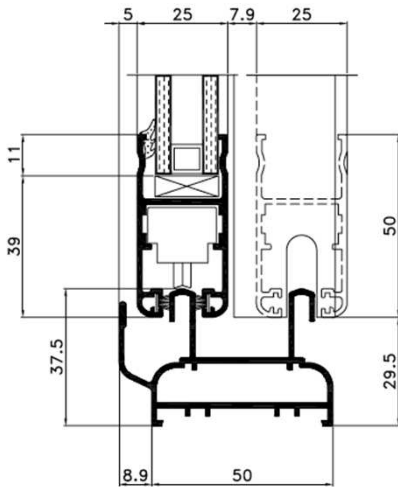
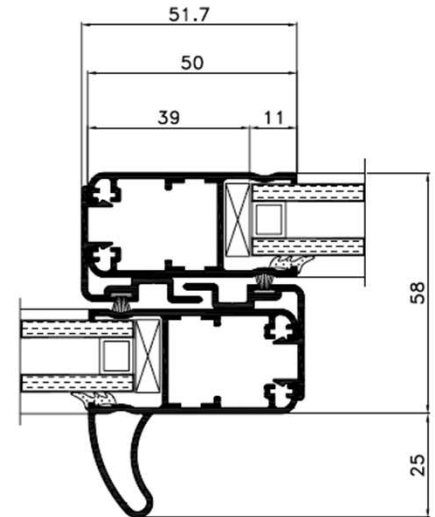
Top Track (2-Track)



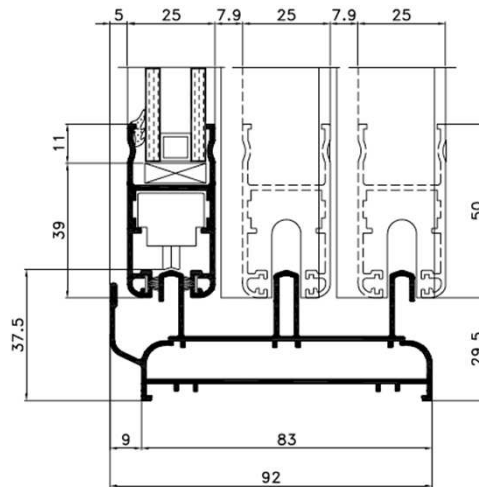
Top Track (3-Track)



Sectional View



Bottom Sill (2-Track)



Bottom Sill (3-Track)