

# Slide Clear- S40 Folding Door

Concealed Hinges - Minimal Frame



The S40 Folding Door system is our European designed, concealed hinge folding door series. This system can act as an adaptable partition door system, barrier wall or divider for areas where thermal values are less important but a superior seal and weather defense is still required. The panels neatly fold away, allowing for a connected unified space in the indoors or out.

- Application** Patios, verandas, balconies, bars, greenhouses, restaurants, hotels, shopping malls, pool areas, hot tub surrounds,
- Dimensions** Custom made door panels up to 39-3/8" (1000mm) in width and systems up to 120" (3048mm) in height. The S40 folding door system has an unlimited width span with various configurations to choose from.
- Sliding** The S40 folding door is a primarily bottom weighted system.. The door panels on the S40 system are suspended from the top track by synthetic coated bearings and guided in the bottom track using synthetic rollers.
- Closure** Easy, quick and silent. Door panels can be folded together on the left or right only, or on both sides for larger openings. The closed panels occupy a space of about 9% of the systems total width.
- Adjustments** The side jambs and upper/lower tracks provide up to 5/16" (8mm) of adjustment if building settling occurs.
- Features** The hinges on the S40 folding door system are completely concealed inside the stiles. This feature enhances the overall visual appearance of the door system, while increasing the door systems weather resistance. The S40 system also features removable hinge pins for easy cleaning.

## Specifications

<b>Operation</b>	Top Weighted
<b>Direction</b>	In Swing or Out Swing
<b>Thermally Broken</b>	No
<b>Max Panel Weight</b>	110lbs (50kg)
<b>Standard Glazing</b>	Double Low-E Argon IGU
<b>Single Pane Specs.</b>	3-/16"- 5/16" (4-8mm)
<b>Double Pane Specs.</b>	5/8"-15/16" (16-24mm)
<b>Max Panel Width</b>	39-3/8" (1000mm)
<b>Max System Width</b>	26'-3" (8000mm)
<b>Max System Height</b>	120" (3048mm)

## Color Options

<b>Standard Colors</b>	Clear Anodized
	Metallic Grey RAL 9006
	Light Grey RAL 7035
	Matte Black RAL 9005
	Pure White RAL 9010
	White RAL 9016
	Linen RAL 1013
	Brown RAL 8017
<b>Custom Colors</b>	Please contact for quote
<b>Hardware Colors</b>	Black Powder Coat & Clear Anodized
	<i>*Hardware includes handles, locks, rollers and guides</i>

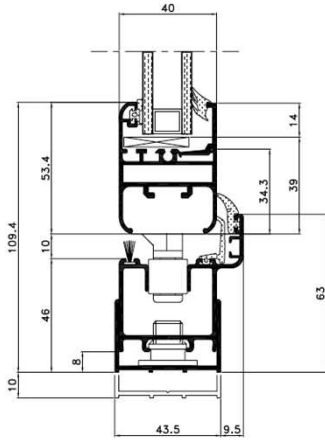
# S40 Folding Door

## Options

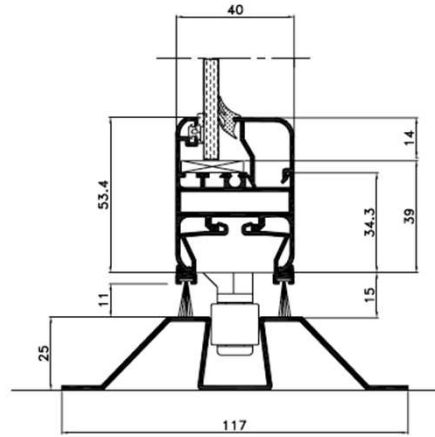
<b>Bottom Threshold Options</b>	Weather Defense Sill
	Low Sill
	Flush Sill
<b>Lock Options</b>	1-Point Lock *Standard Below 7' (2134mm)
	3-Point Lock *Standard Above 7' (2134mm)

## Delivery

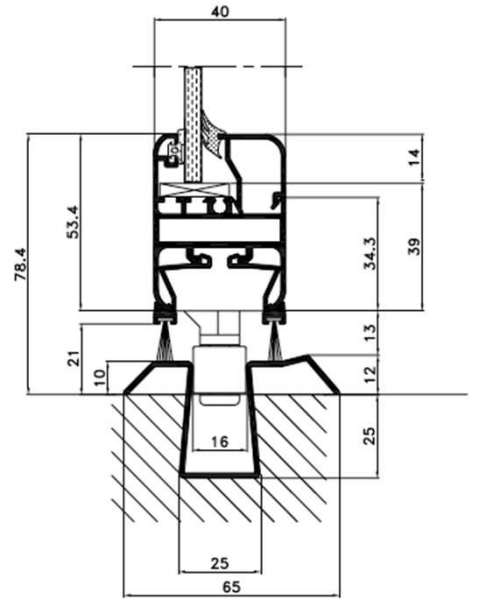
Standard 10-14 week delivery
FOB: Surrey BC, Canada
Freight to be quoted



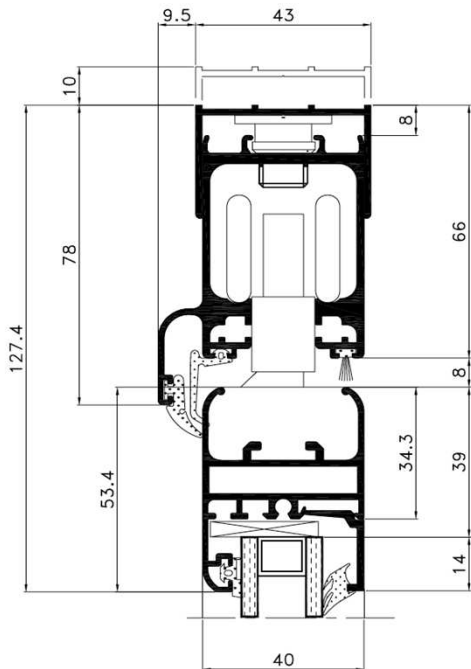
Weather Defense Sill



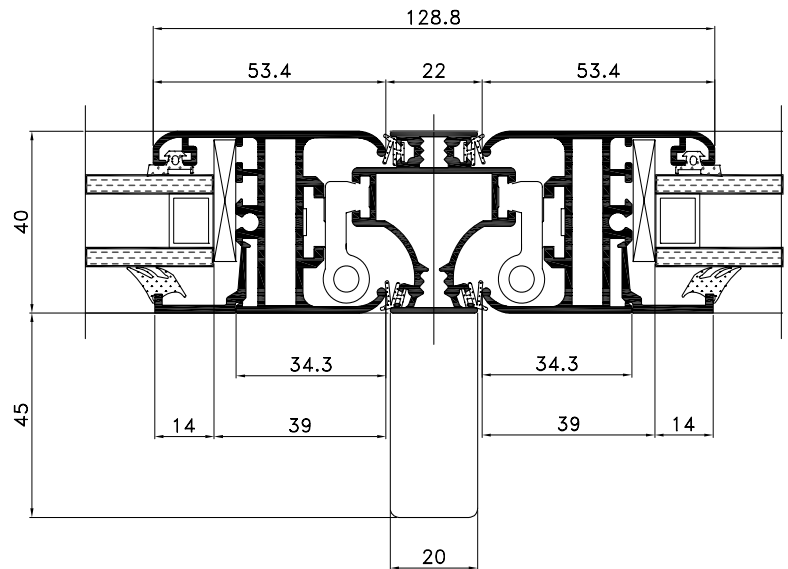
Low Sill



Flush Sill



Sectional View (Top Track)



Sectional View (Stile)